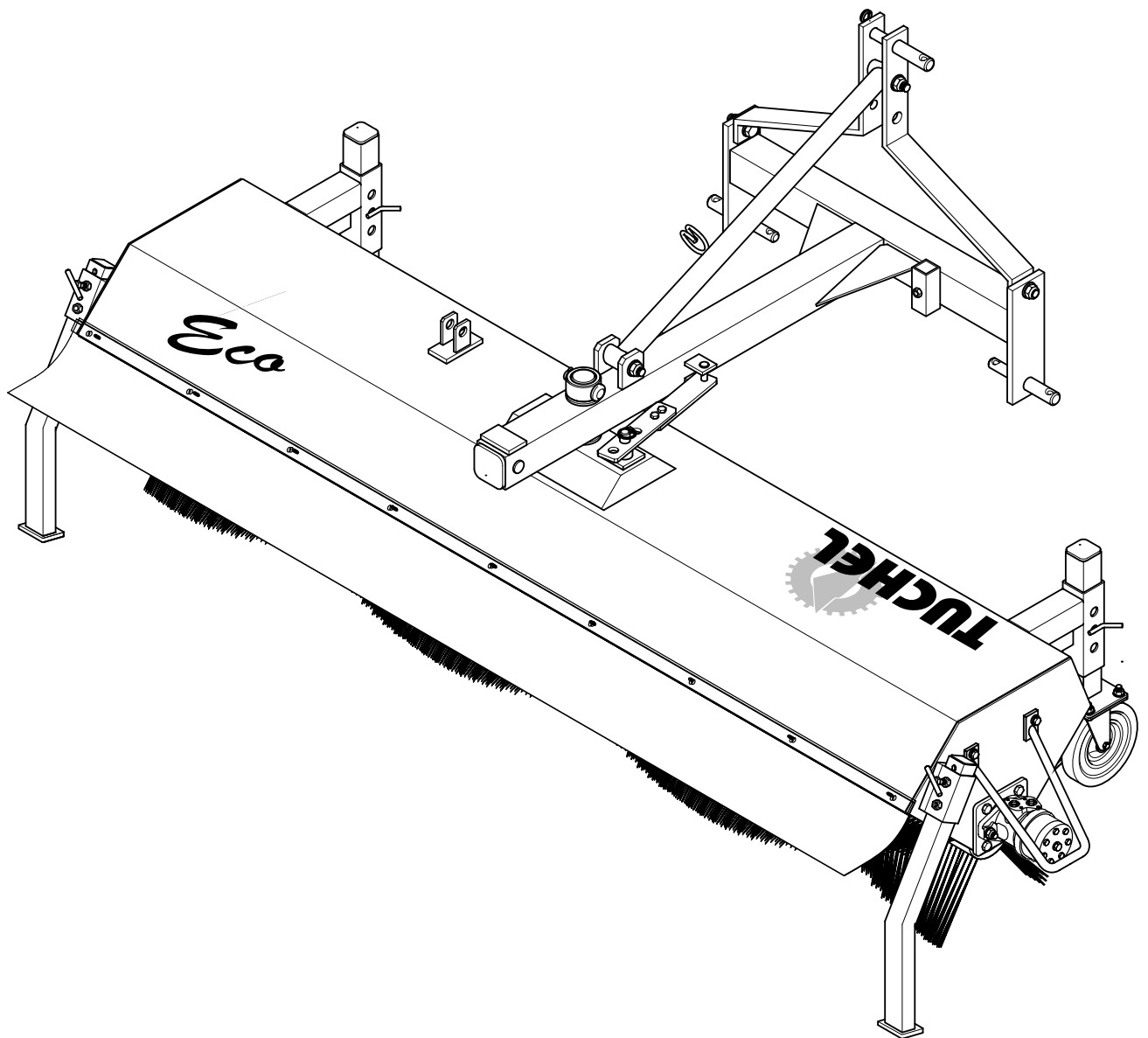




## Parts Catalogue



**Eco - Sweeper**

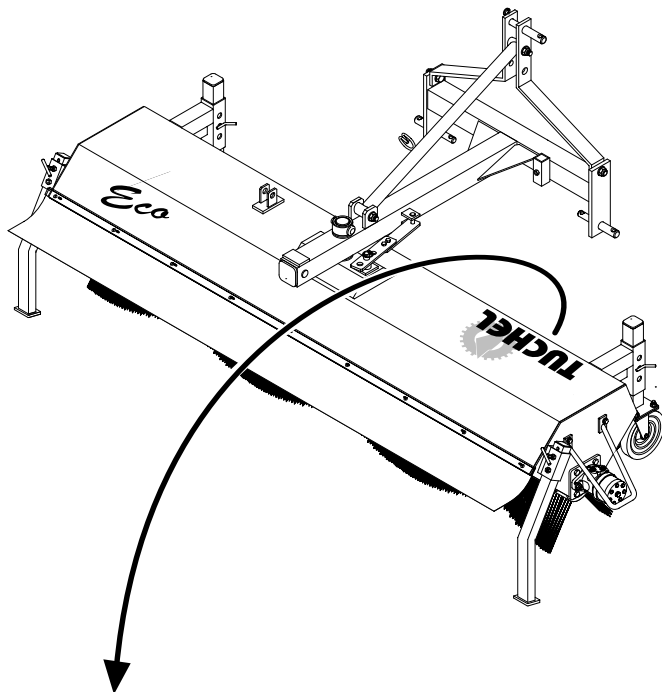
---



## Index

Labelling .....	3
Specifications for enquiries and orders .....	3
Tafel 001 Frame & Wheels .....	4
Tafel 001 Frame & Wheels .....	6
Tafel 001 Frame & Wheels .....	8
Tafel 002 Broom Assembly .....	10
Tafel 003 Mounting & Adjustments .....	12
Tafel 003 Mounting & Adjustments .....	14
Tafel 004 Collectors and Unloaders.....	16
Tafel 004 Collectors and Unloaders.....	18
Tafel 004 Collectors and Unloaders.....	20
Notes: .....	22
Notes: .....	23

## Labelling

The labelling takes place via the type label.



○ Modell / TYP	<input type="text"/>	 <p>Holsterfeld 15 • 48499 Salzbergen Tel. (0 59 71) 96 75-0 • Fax 96 75-30 Internet: <a href="http://www.tuchel.com">http://www.tuchel.com</a> E-Mail: <a href="mailto:info@tuchel.com">info@tuchel.com</a></p> 
○ Serien-Nr.	<input type="text"/>	
○ Baujahr / Auftrags-Nr.	<input type="text"/>	
○ max. Betriebsdruck [bar]	<input type="text"/>	
○ max. Ölstrom [kg]	<input type="text"/>	
○ Eigengewicht [kg]	<input type="text"/>	
○ Tragfähigkeit des Flurförderfahrzeugs beachten!		

Modell

Serial no.

Year of construction/  
order no.

max. oil pressure [bar]

max. oil flow [l/min]

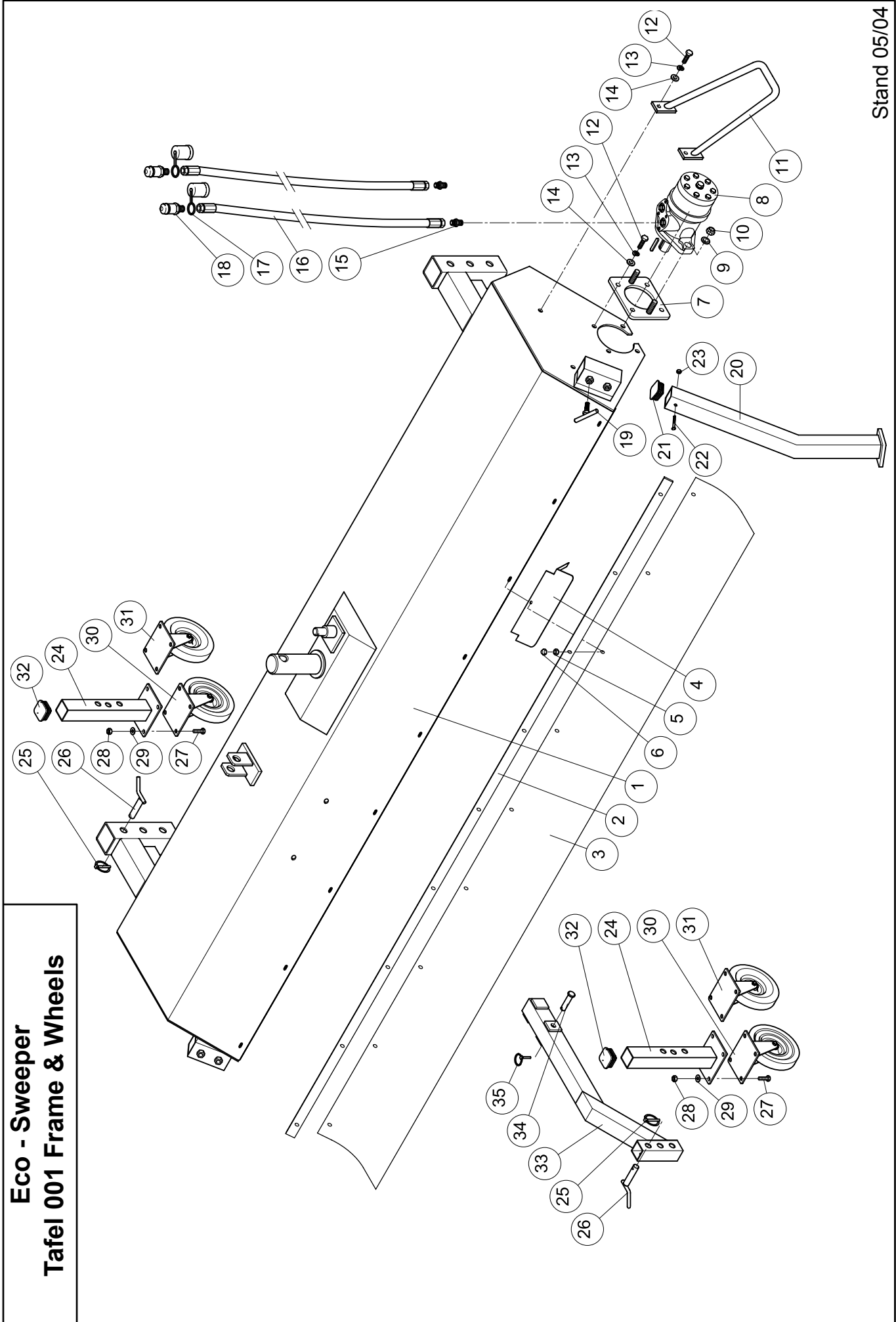
Net weight [kg]

**HINWEIS** The entire labelling (type label, safety label, etc.) constitutes a certificate and must not be altered or made illegible. It must be replaced if it is damaged or missing.

## Specifications for enquiries and orders

When ordering spare parts or accessories, please specify the type label, serial number and the year of construction of the Plus sweeping machine.

**HINWEIS** The use of accessories or spare parts of other manufacturers is only allowed after consultation with the manufacturer. Original accessories / original spare parts and accessories authorised by the manufacturer provide safety. The use of other accessories / spare parts invalidates the liability for the consequences thereof.

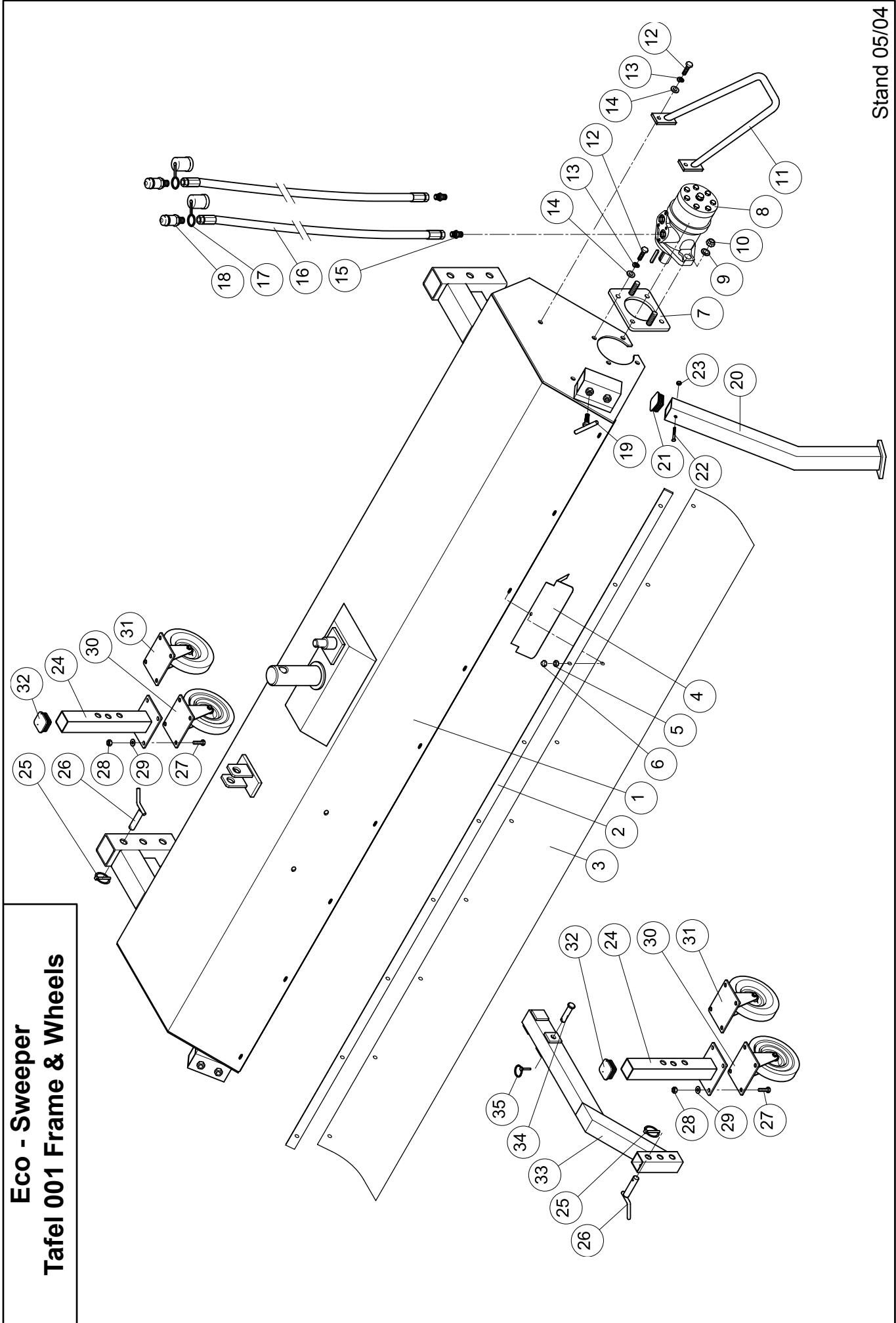


Stand 05/04

**Eco - Sweeper  
Tafel 001 Frame & Wheels**

## Eco Sweeper – Parts Catalogue 001: Frame &amp; Wheels

Item	Part No.	Description	Number
		<b>Working Width 1.50m</b>	
1	35.08.B0000	Framework, Complete (35.08.B1000)	1
2	92.38.00003	Strip	1
3	00.FI.00033	Rubber Flap (1 Insert)	1
4	38.05.50204	Support Flange (Under Rubber Flap)	3
5	00.AB.00200	Ratchet Nut	9
6	00.FV.00018	Hexagonal Protective Cap	9
		<b>Working Width 1.80m</b>	
1	35.08.B0000	Framework, Complete (35.08.B1000)	1
2	92.38.00003	Strip	1
3	00.FI.00033	Rubber Flap (1 Insert)	1
4	38.05.50204	Support Flange Without Fig. (Under Rubber Flap)	3
5	00.AB.00200	Ratchet Nut	9
6	00.FV.00018	Hexagonal Protective Cap	9
		<b>Working Width 2.30m</b>	
1	35.08.B0000	Framework, Complete (35.08.B1000)	1
2	92.38.00003	Strip	1
3	00.FI.00033	Rubber Flap (1 Insert)	1
4	38.05.50204	Support Flange Without Fig. (Under Rubber Flap)	4
5	00.AB.00200	Ratchet Nut	9
6	00.FV.00018	Hexagonal Protective Cap	9
		<b>Hydraulic Motor</b>	
7	35.08.P1020	Motor Plate	1

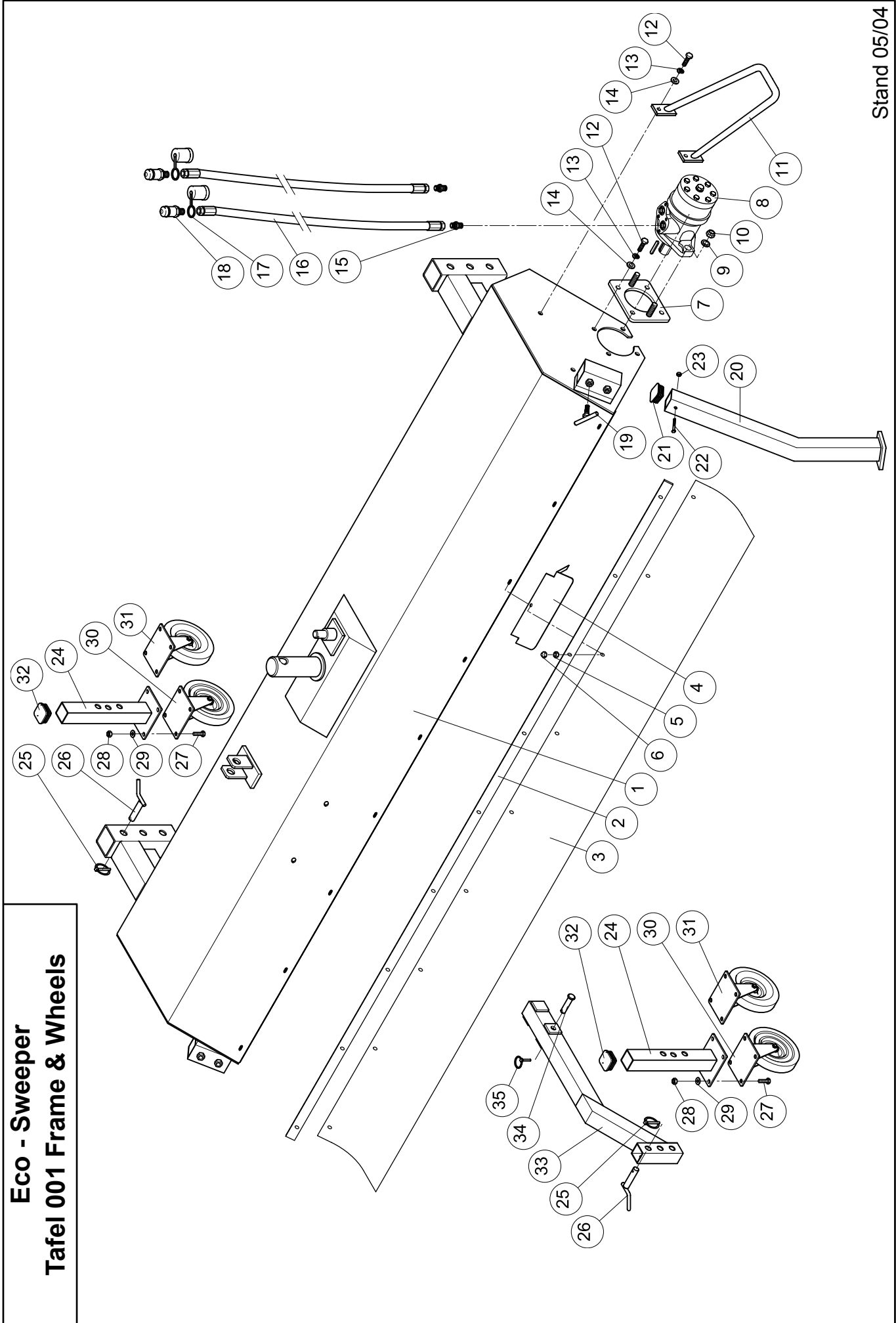


Stand 05/04

**Eco - Sweeper  
Tafel 001 Frame & Wheels**

## Eco Sweeper – Parts Catalogue 001: Frame &amp; Wheels

Item	Part No.	Description	Number
8	00.EK.00049	Hydraulic Motor	1
	00.EK.00554	Seal Kit	
9	00.AC.00101	Split Washer	2
10	00.AB.00064	Hexagon Nut	2
11	93.04.1(0000	Protection Guard	1
12	00.AA.00095	Hexagonal Screw	6
13	00.AD.00041	Lock Washer	6
14	00.AC.00081	Split Washer	6
15	00.EE.00002	Straight Screw Connection	2
16	00.EP.00092	Hydraulic Hose	2
17	00.FV.00008	Dust Cap	2
18	00.ES.00100	SVC Plug	2
		<b>Storage Support</b>	
19	00.AA.01000	Capstan-Head Screw	2
20	35.08.S0200	Storage Support	2
21	00.FW.00021	Square-Pot	2
22	00.AA.00039	Hexagonal Screw	2
23	00.AB.00007	Hexagon Nut	2
		<b>Gang Wheels</b>	
24	35.08.A0000	Interior Pipe	2
25	00.AK.00056	Quick Lock Pin	2
26	35.24.R0010	Gang Wheel Pin	2
27	00.AA.00095	Hexagonal Screw	8
28	00.AB.00044	Hexagon Nut	8



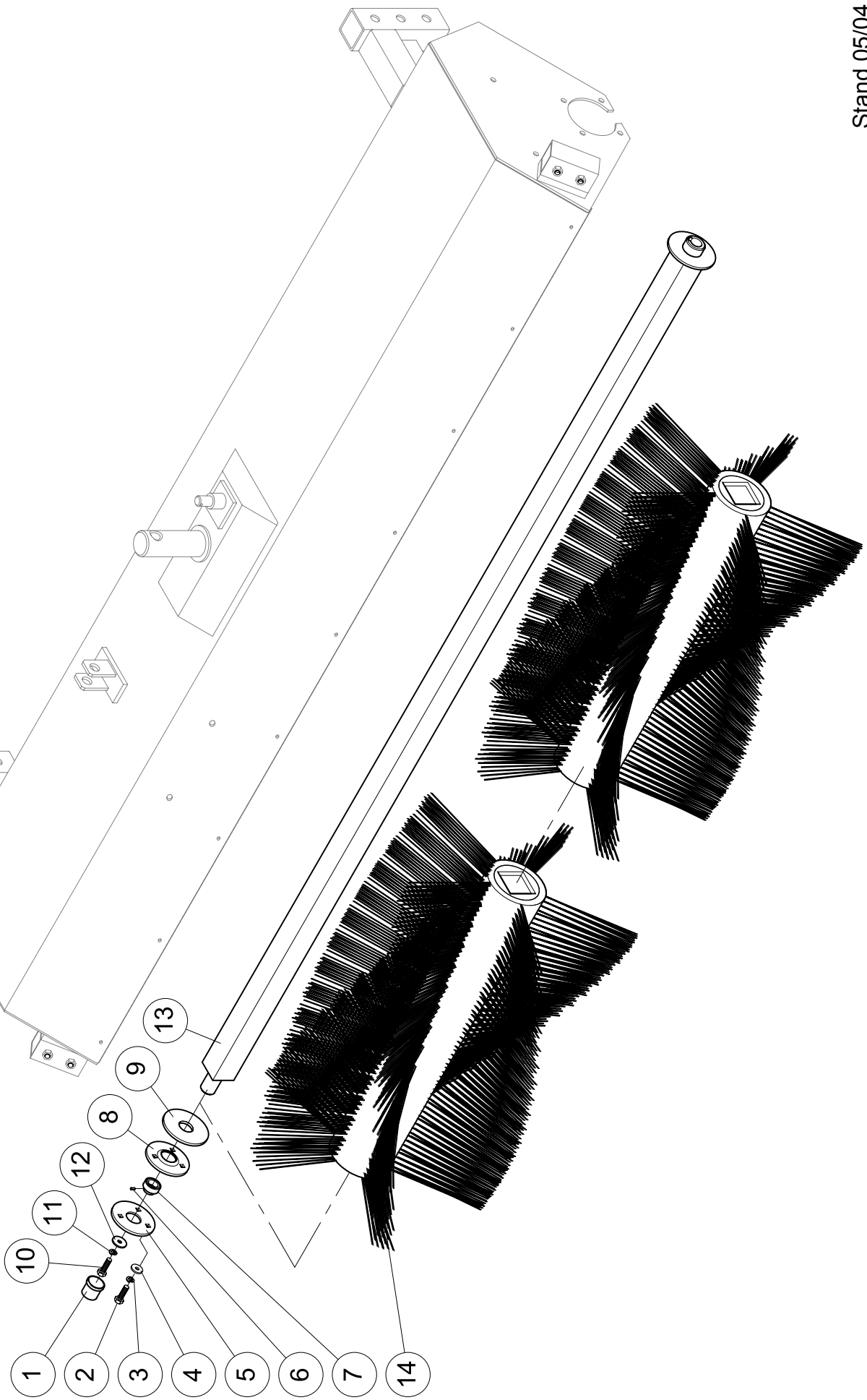
Stand 05/04

**Eco - Sweeper  
Tafel 001 Frame & Wheels**

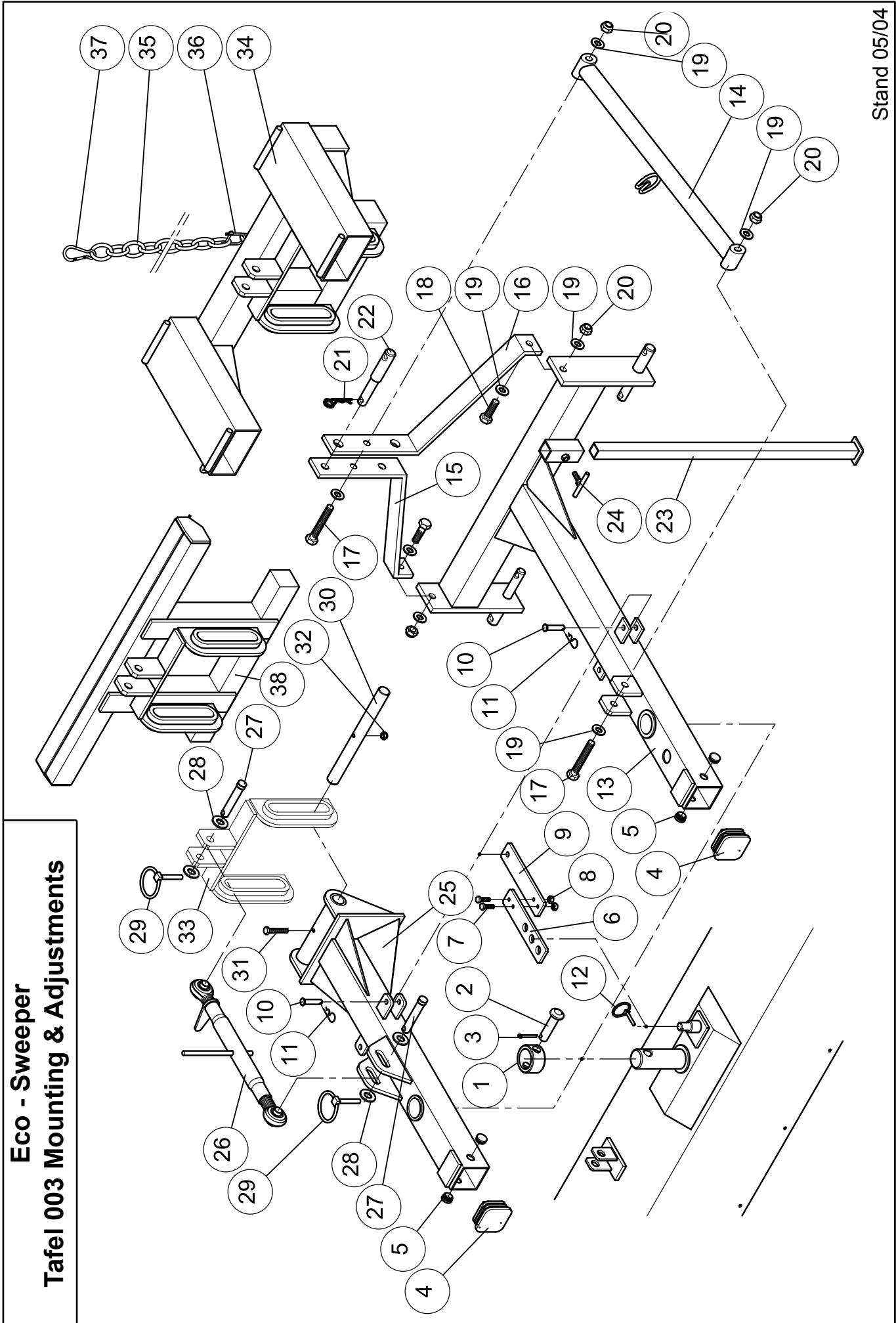




**Eco - Sweeper  
Tafel 002 Broom Assembly**





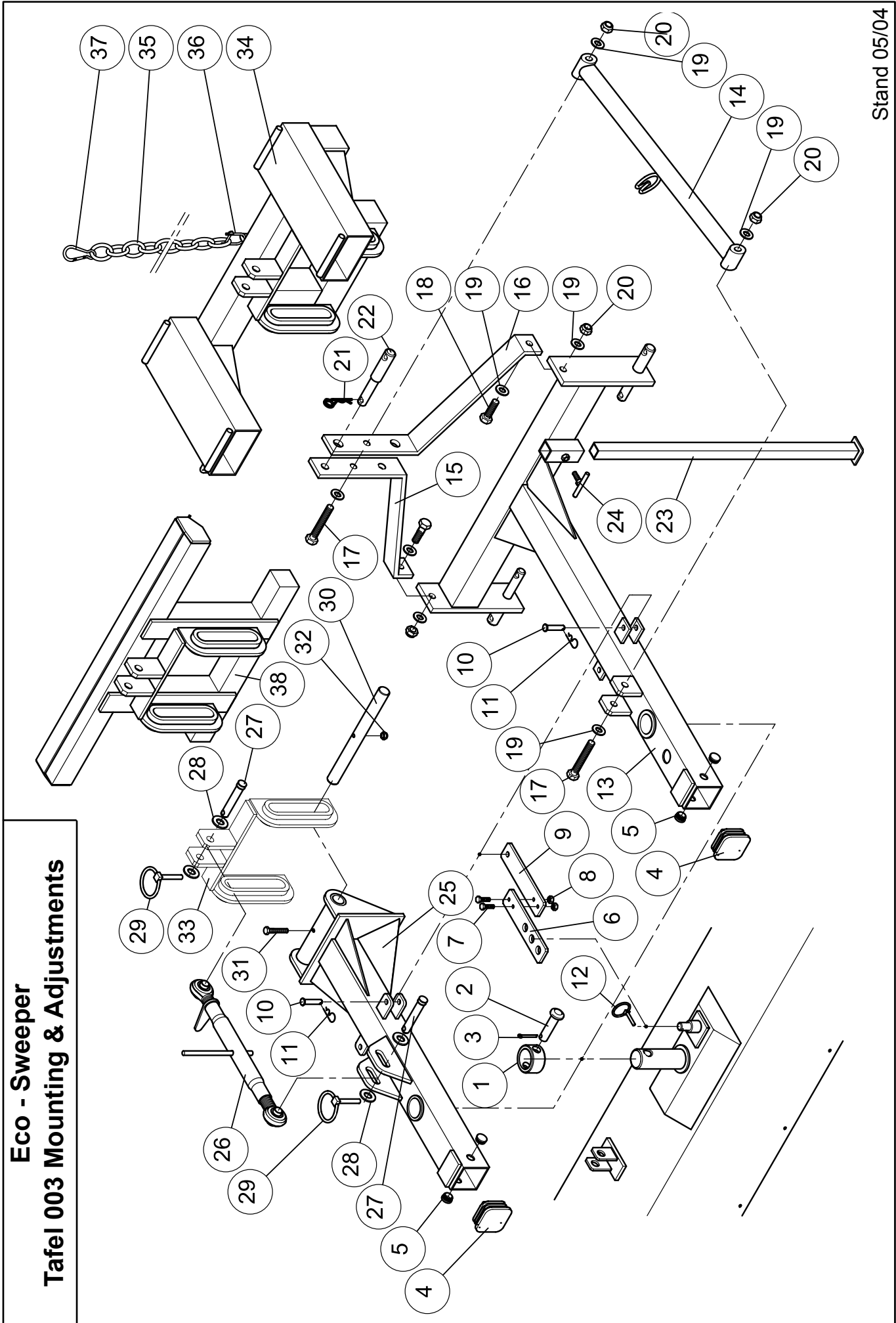


Stand 05/04

**Eco - Sweeper  
Tafel 003 Mounting & Adjustments**

## Eco Sweeper – Parts Catalogue 003: Mounting &amp; Adjustments

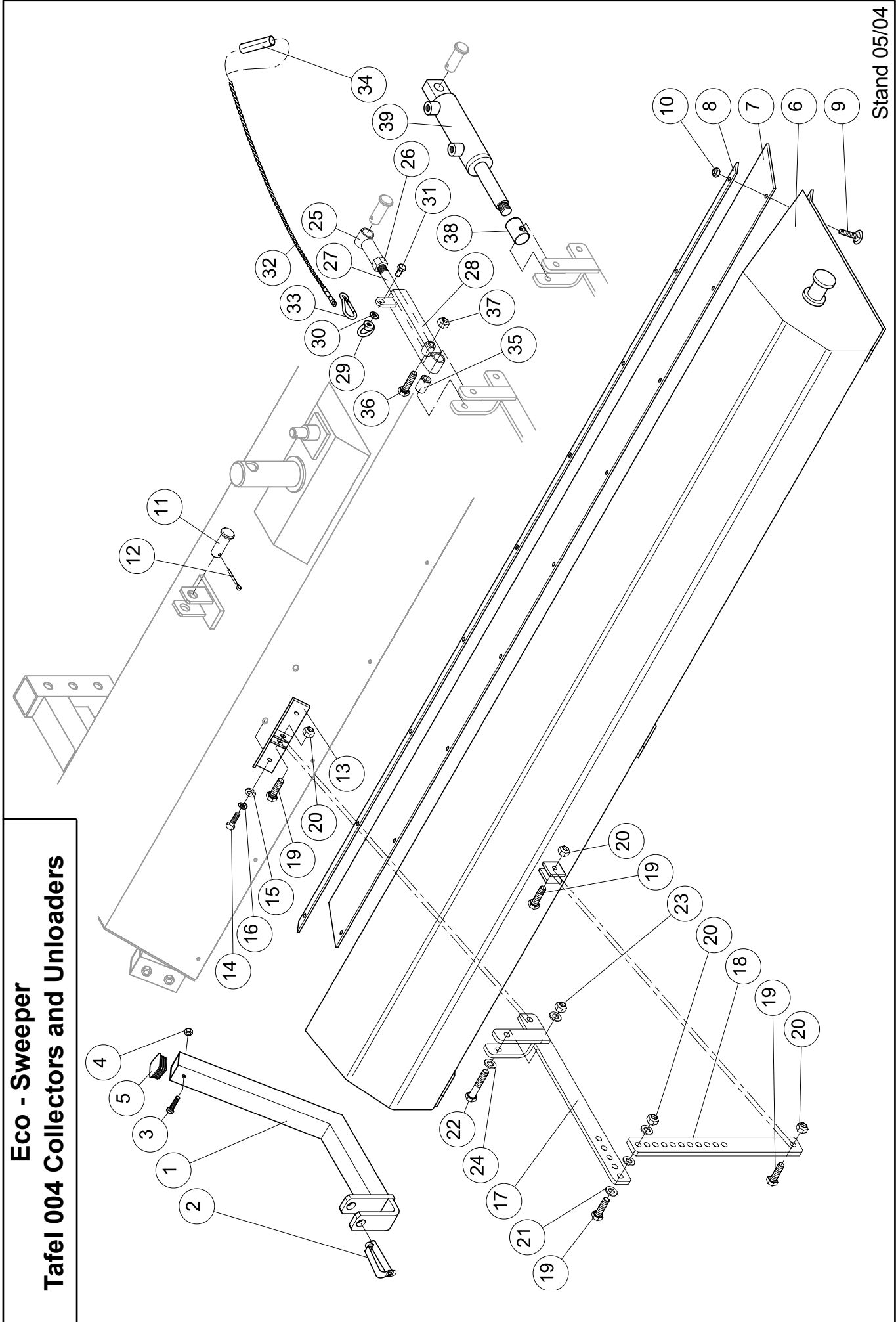
Item	Part No.	Description	Number
1	92.58.Z0010	Locking Ring	1
2	00.AH.00011	Pin	1
3	00.AK.00023	Split Pin	1
4	00.FW.00077	Square Plugs	1
5	00.FW.00074	Plug	2
		<i>Items 4 and 5 are not applicable to the 3-gang wheel</i>	
		<b>Mechanical Skew</b>	
6	92.53.K0001	Inclining/Slanting Handle #1	1
7	00.AA.00004	Hexagonal Screw	2
8	00.AB.00024	Hexagon Nut	2
9	92.53.K0002	Inclining/Slanting Handle #2	1
10	00.AH.00026	Pin	1
11	00.JH.00001	Spring Cotter M. Double Feather/Spring	1
12	00.AK.00056	Quick Lock Pin	1
		<b>Eco - Three Point Support</b>	
13	35.53.10010	Three-point Support Arm	1
14	35.53.10030 -	Prop	1
15	35.53.10025	Centre Link Right	1
16	35.53.10026	Centre Link Left	1
17	00.AA.00159	Hexagonal Screw	2
18	00.AA.00214	Hexagonal Screw	2
19	00AC.00141	Split Washer	8
20	00.AB.00106	Hexagon Nut	4
21	00.JH.00003	Spring Cotter With Double Feather/Spring	1



Stand 05/04

**Eco - Sweeper  
Tafel 003 Mounting & Adjustments**

<b>Eco Sweeper – Parts Catalogue 003: Mounting &amp; Adjustments</b>			
Item	Part No.	Description	Number
22	00.AH.00016	Stage Pin	1
23	92.04.G0001	Storage Support	1
24	00.AA.01000	Capstan-Head Screw	1
		<b>Eco - Mounting</b>	
25	35.58.000025	Swivelling Arm	1
26	00.CA.00013	Centre Link Complete.	2
27	00.AH.00034	Centre Link Pin	1
28	00.AC.00181	Split Washer	4
29	00.AK.00059	Quick Lock Pin	2
30	35.58.00070	Pressing Rod	1
31	00.AA.00070	Hexagonal Screw	1
32	00.AB.00024	Hexagon Nut	1
33	38.58.00050	Level Control Entrance	(1)
		<b>Eco - Fork Tine Entrance</b>	
34	35.04.G0025	Fork Tine Entrance For 150x70	1
35	00.AK.00100	C-Chain	1
36	00.AS.00001	Shackle Form	1
37	00.UC.00002	Snap Hook	1
		<b>Eco Yard Loader Entrance</b>	
38	--	Yard Loader Entrance (Vehicle Dependent)	1



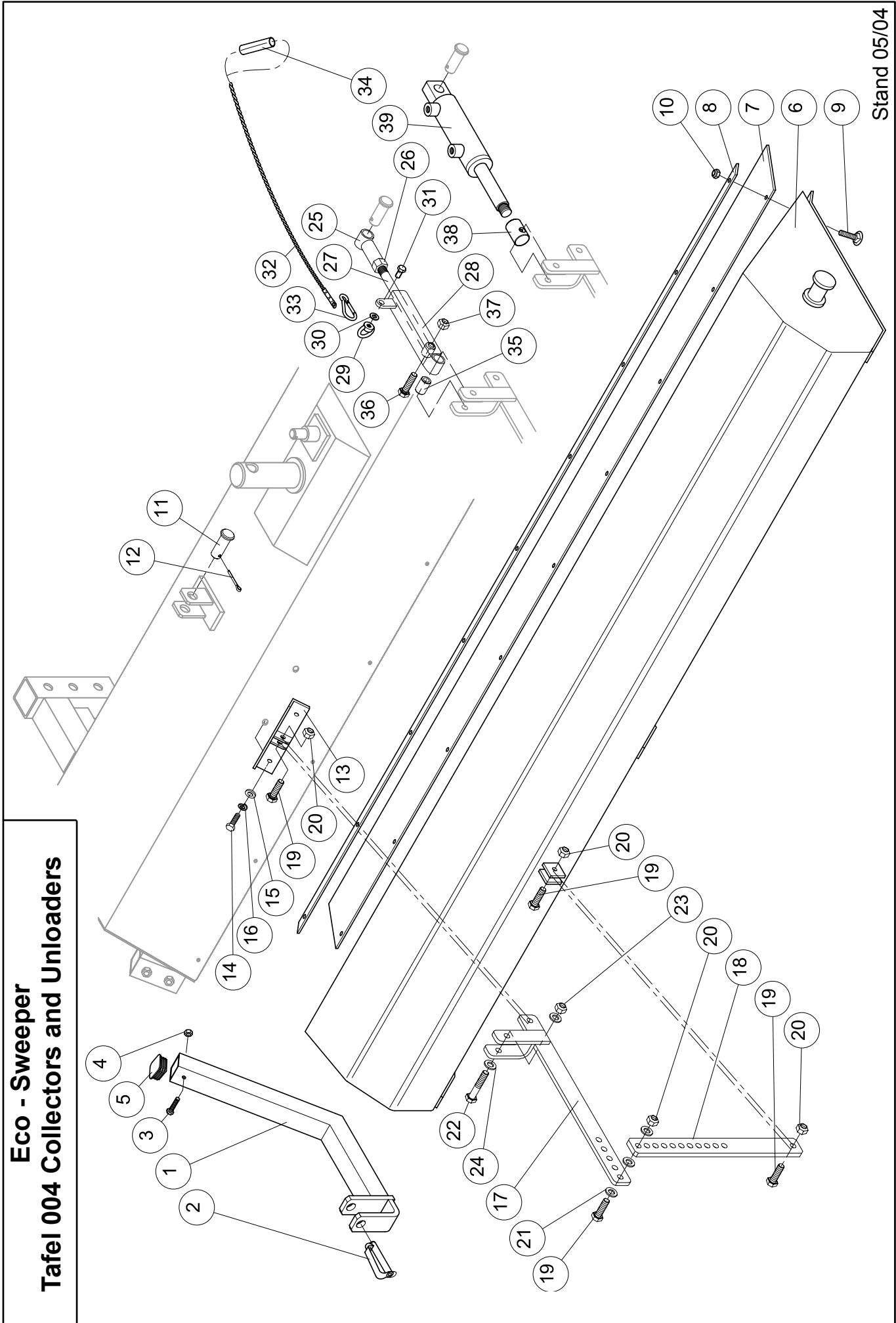
Stand 05/04

**Eco - Sweeper  
Tafel 004 Collectors and Unloaders**



## Eco Sweeper – Parts Catalogue 004: Collectors and Unloaders

Item	Part No.	Description	Number
1	35.38.E0000	Adjustment Arm	2
2	00.JG.00002	Spring Cotter Pin	2
3	00.AA.00039	Hexagonal Screw	2
4	00.AB.00007	Hexagon Nut	2
5	00.FW.00021	Square Plug	2
		<b>Working Width 1.50m</b>	
6	35.34.A0100	Collector	1
7	35.34.02001	Vulkollan Strip	1
8	35.34.00002	Impact Strip	1
9	00.AA.00020	Brazier Head Screw	11
10	00.AB.00200	Ratchet Nut	11
		<b>Working Width 1.80m</b>	
6	35.35.A0100	Collector	1
7	35.35.02001	Vulkollan Strip	1
8	35.35.00002	Impact Strip	1
9	00.AA.00020	Brazier Head Screw	10
10	00.AB.00200	Ratchet Nut	10
		<b>Working Width 2.30m</b>	
6	35.38.A0100	Collector	1
7	35.38.02001	Vulkollan Strip	1
8	35.38.00002	Impact Strip	1
9	00.AA.00020	Brazier Head Screw	11
10	00.AB.00200	Ratchet Nut	11

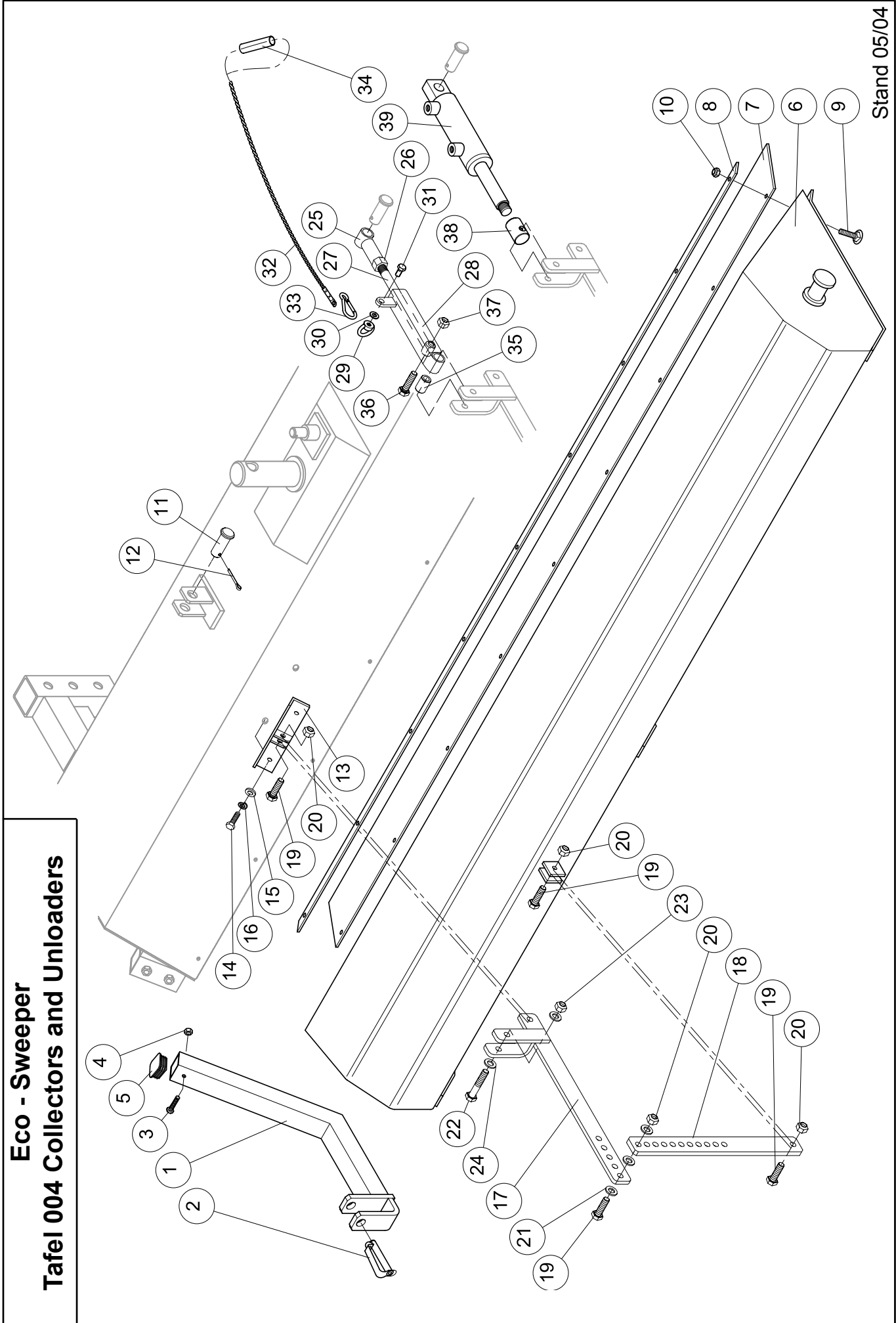


Stand 05/04

**Eco - Sweeper  
Tafel 004 Collectors and Unloaders**

## Eco Sweeper – Parts Catalogue 004: Collectors and Unloaders

Item	Part No.	Description	Number
<b>Hydraulic And Mechanical Unloaders</b>			
11	00.AH.00014	Pin	1
12	00.AK.00023	Split Pin	1
13	92.34.D0000	Container Locking Keeper	1
14	00.AA.00097	Hexagonal Screw	2
15	00.AC.00081	Split Washer	2
16	00.AD.00041	Lock Washer	2
17	92.34.H0000	Upper Adjustment Bar	1
18	92.34.10000	Lower Adjustment Bar	1
19	00.AA.00140	Hexagonal Screw	4
20	00.AB.00064	Hexagon Nut	4
21	00.AC.00101	Split Washer	3
22	00.AA.00150	Hexagonal Screw	1
23	00.AB.00064	Hexagon Nut	1
24	00.AC.00101	Split Washer	2
<b>Mechanical Unloaders</b>			
25	35.38.E0265	Threaded Joint	1
26	00.AB.00101	Hexagon Nut	1
27	35.38.E0260	Lever Linking Bolt	1
28	35.38.E0251	Folding Lever	1
29	00.AB.00027	Annular Nut	1
30	00.AC.00061	Split Washer	1
31	00.AA.00055	Hexagonal Screw	1
32	00:UB.00010	Cable With Terminators	1
33	00.UC.00003	Snap Hook	1



Stand 05/04

**Eco - Sweeper  
Tafel 004 Collectors and Unloaders**







---



# TUCHEL

MASCHINENBAU GmbH

Holsterfeld 15 • D-48499 Salzbergen  
Tel.: +49 (0) 5971 9675 - 0 • Fax 9675 - 30  
www.tuchel.com • E-Mail: info@tuchel.com  
E-Mail for order parts: service@tuchel.com

